

The RK-8000M is the most widely used rivet tool offered by JHP Fasteners. The RK-8000 series is simple to operate and easy to maintain. With an easy vacuum adjustment, ergonomic grip and light weight, the RK-8000M is a good solution for all levels of production without breaking the bank. The RK-8000 series tools come with their own clamshell case, replacement jaws, tools and nose pieces for all the rivet sizes they install.

The Raw Facts:

Model # RK- 8000M

- Weight - 3.3 Lbs.
- 1-2 second cycle time
- Modular design
- Installs 3/32", 1/8", 5/32" & 3/16" rivets
- Easily adjustable vacuum mandrel collection system
- 0.787" stroke
- 2,450 lbsF pull force

Did we mention it's modular?

The RK-8000 series of tools is modular. This lends itself to less expensive repairs by only having to replace specific components that fail. Not only are the modular components more affordable to replace, they often require less labor to install. For example, the mandrel collection canister is an item that frequently gets broken or lost on any rivet tool. Where competitors may charge around \$40.00 to replace this item, the RK-8000 component costs around \$24.00. The RK-8000 series of tools are easily maintained by a competent maintenance staff.

Jaws of victory

While many competitors are still using an outdated 2 jaw system, all RK-8000 series tools use 3 jaws. The 3 jaw system is inherently better because of how efficiently it grabs the mandrel on three sides as opposed to two which helps minimize scraping and provide longer jaw life. They are also affordable and often cost less than half that of a competing tool.

Ready?

Whether producing one off fabrications or running large production runs, you should give the RK-8000 series tools a serious look. The RK-8000 series embodies some of the most versatile, user friendly rivet tools available today. We look forward to hearing from you and sharing what these tools can do for you.

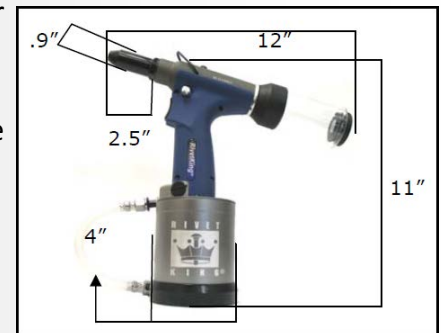


Each tool includes a clamshell case, 2 extra jaw sets, tools and all nose pieces to install 3/32", 1/8", 5/32" & 3/16" rivets.

Industrial Rivet & Fastener Company is the exclusive manufacturer of Rivet King tools.

All about the stroke

The stroke of the RK-8000 series tools is longer in comparison to other rivet tools on the market. Why does this matter? Other tools with shorter strokes require a more precise balance of air pressure and hydraulic oil to be most effective in pulling a variety of rivets. With the long stroke of the RK-8000 series tools, that balance is exaggerated since the tool will often be able to set the rivet completely even during a low pressure or low oil scenario where other tools would fail to operate completely or require 2 or three presses of the trigger to complete the installation. It's one of the most forgiving rivet tools available today.



JHP Fasteners, Inc.
3721 Northridge Dr. NW, Ste. 40
Walker, Mi. 49544
Phone: 800.783.0910
Email: sales@jhpfasteners.com
www.JHPFasteners.com